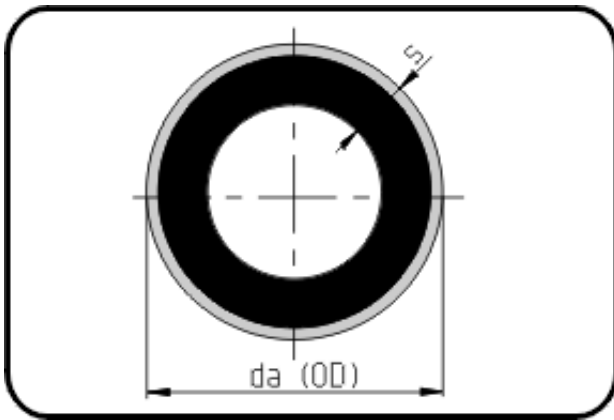


## SURELINE II Pipes



Code: 712.1

- Pipe black 12m
- with blue signal layer
- extruded
- PE 100-RC SURELINE II

From dim. 250 not available from stock - delivery time on request.

Dimension	Code	Detail	Weight
400	70.712.1400.11	400X36,3 SDR11 ISO S-5	41.70

	Unit	Nominale	Tol+	Tol-
da(OD)	mm	400	2.40	0.00
s	mm	36,3	3.80	0.00