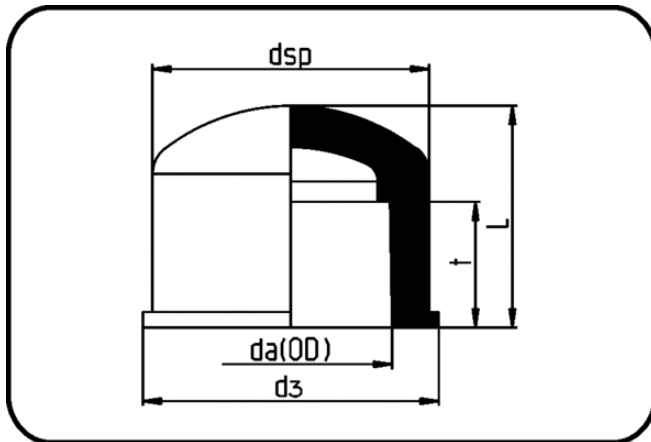


Fittings for Socket Welding



Code: 054

- End Cap
- injection moulded
- Socket-welding
- PE 100-RC black

Dimension	Code	Detail	da(OD) mm	L mm	d3 mm	dsp mm	t mm	p bar	Weight
20	70.054.0020.07	20 - MOP 16 bar	20	26	32	29	16	16	0.01
25	70.054.0025.07	25 - MOP 16 bar	25	28,5	38	35	18	16	0.01
32	70.054.0032.07	32 - MOP 16 bar	32	35	46	43	20	16	0.02
40	70.054.0040.07	40 - MOP 16 bar	40	39	58	52,5	22	16	0.04
50	70.054.0050.07	50 - MOP 16 bar	50	48,5	70	64,5	24,5	16	0.07
63	70.054.0063.07	63 - MOP 16 bar	63	59	86,5	81	29	16	0.13
75	70.054.0075.07	75 - MOP 16 bar	75	67	98	92,5	32	16	0.17
90	70.054.0090.07	90 - MOP 16 bar	90	77	119	113	37	16	0.29
110	70.054.0110.07	110 - MOP 16 bar	110	91,5	140	133	42,5	16	0.44