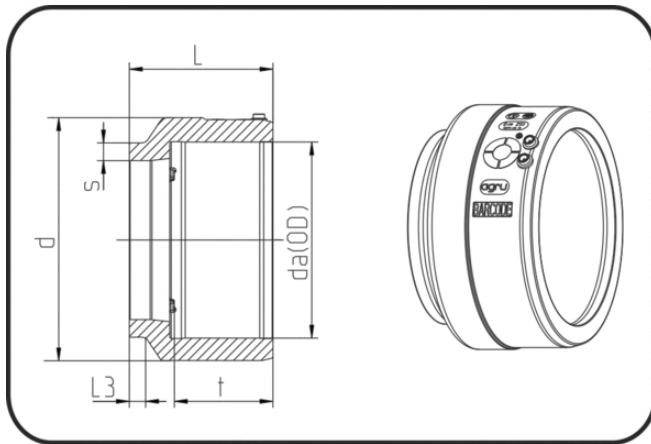


Electro Fusion Fittings



Code: 172

- **E-Spigot Coupler**
- MOP water 16bar/gas 10bar
- W/P-TW
- injection moulded
- **Butt + E-socket-welding**
- **PE 100-RC black**

Dimension	Code	Detail	da(OD) mm	s mm	L mm	L3 mm	d mm	t mm	Weight
250	70.172.0250.11	250 SDR 11	250	22,7	185	20	315	126	4.89