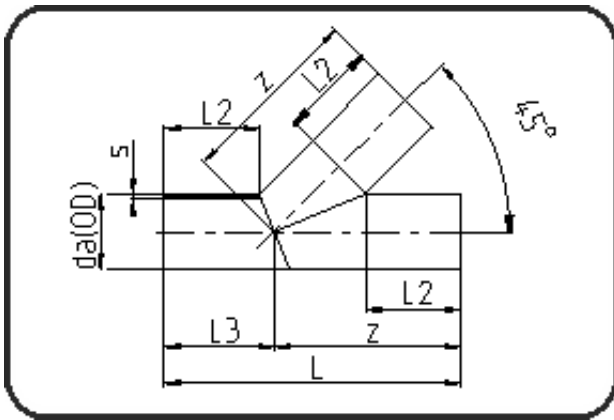


Segmented Fittings



Code: 325

- Tee 45°
- segmented
- derating factor 0.6
- **Butt + E-socket-welding**
- **PE 100-RC black**

Dimension	Code	Detail	Weight
630	70.325.0630.11	630X57,2 SDR11 ISO S-5	278.00

	Unit	Nominale	Tol+	Tol-
da(OD)	mm	630	0.00	0.00
L	mm	1.590	30.00	30.00
L3	mm	480	0.00	0.00
L2	mm	350	0.00	0.00
s	mm	57,2	0.00	0.00
z	mm	1.110	30.00	30.00