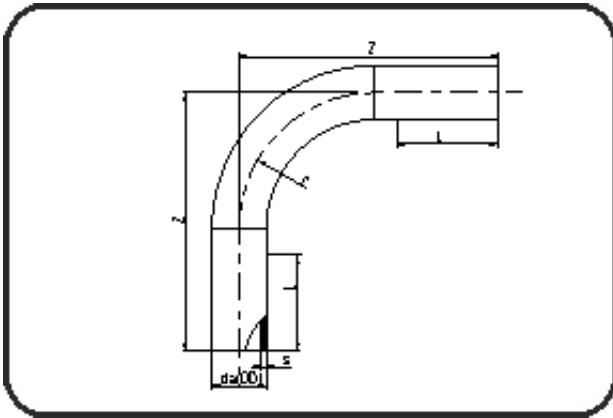


Sweep Bends



- Sweep Bend 90°
- radius 1.5 x OD
- formed out of pipe
- **Butt + E-socket-welding**
- **PE 100-RC black**

Code: 399

Dimension	Code	Detail	Weight
200	70.399.0200.11	200 SDR11 ISO S-5 16 bar	12.22

	Unit	Nominale	Tol+	Tol-
da(OD)	mm	200	0.00	0.00
L	mm	150	0.00	0.00
r	mm	300	0.00	0.00
s	mm	18,2	0.00	0.00
z	mm	650	75.00	75.00