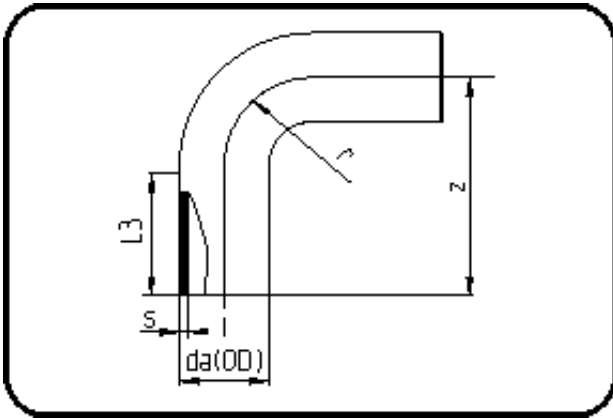


MULTI Fittings



Code: 068

- **MULTI-Bend 90°**
- long spigot
- W/P-TW
- injection moulded
- **Butt + E-socket-welding**
- **PE 100-RC black**

Dimension	Code	Detail	Weight
160	70.068.0160.11	160X14,6 SDR11 PN16	3.31

	Unit	Nominale	Tol+	Tol-
da(OD)	mm	160	1.00	0.00
L3	mm	100,5	5.25	3.75
r	mm	160	0.00	0.00
s	mm	14,6	1.60	0.00
z	mm	260	6.00	6.00