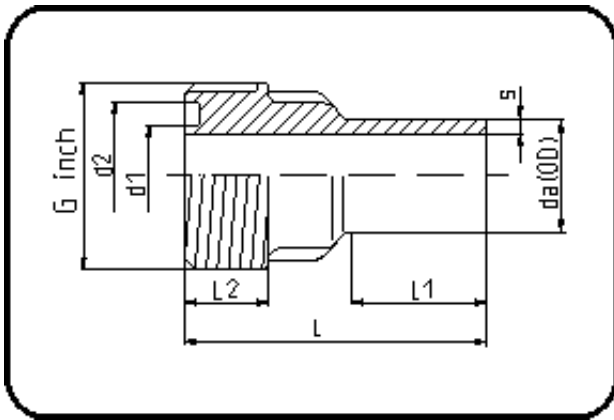


Fittings with short Spigot



Code: 024.3

- Union bush
- spare part Union 024
- injection moulded
- **Butt-welding**
- **PE 100-RC black**

| Dimension | Code | Detail | Weight |
|-----------|----------------|----------------------|--------|
| 40 | 70.024.3040.11 | 40X3,7 SDR11 ISO S-5 | 0.06 |

| | Unit | Nominale | Tol+ | Tol- |
|--------|------|----------|------|------|
| da(OD) | mm | 40 | 0.40 | 0.00 |
| L | mm | 63 | 1.50 | 1.50 |
| L1 | mm | 25 | 1.50 | 1.50 |
| G | inch | 2 | 0.00 | 0.00 |
| L2 | mm | 19 | 1.50 | 1.50 |
| s | mm | 3,7 | 0.50 | 0.00 |
| d1 | mm | 37,9 | 0.30 | 0.30 |
| d2 | mm | 50,3 | 0.30 | 0.30 |