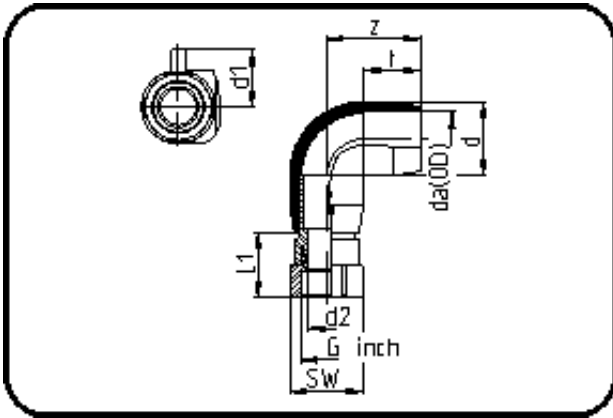


## Electro Fusion Fittings



Code: 187

- **E-Adaptor Elbow 90°**
- with brass-female thread
- W/P-TW
- injection moulded
- **Electro-fusion**
- **PE 100-RC black**

| Dimension | Code           | Detail            | Weight |
|-----------|----------------|-------------------|--------|
| 32 X 1    | 70.187.3232.11 | 32X1" SDR 11 PN16 | 0.28   |

|        | Unit | Nominale | Tol+ | Tol- |
|--------|------|----------|------|------|
| da(OD) | mm   | 32       | 0.00 | 0.00 |
| L1     | mm   | 44       | 1.50 | 1.50 |
| SW     | mm   | 41       | 0.00 | 0.00 |
| G      | inch | 1        | 0.00 | 0.00 |
| d      | mm   | 42       | 0.75 | 0.75 |
| d1     | mm   | 40       | 1.50 | 1.50 |
| t      | mm   | 44       | 0.00 | 0.90 |
| E      | mm   | 33,25    | 0.00 | 0.00 |
| d2     | mm   | 21       | 0.00 | 0.00 |
| K      | mm   | 30,29    | 0.00 | 0.00 |
| z      | mm   | 65       | 2.25 | 2.25 |