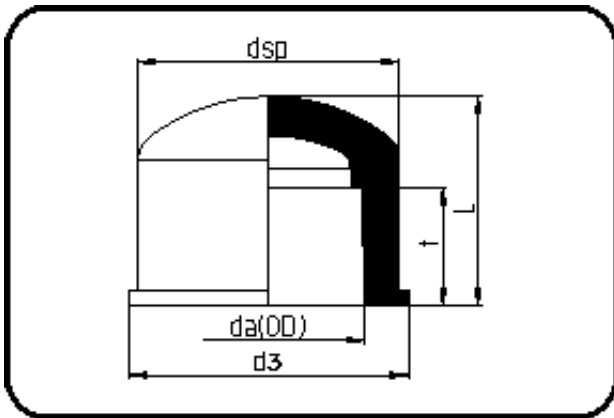


## Fittings for Socket Welding



Code: 054

- End Cap
- injection moulded
- **Socket-welding**
- PE 100-RC black

Dimension	Code	Detail	Weight
110	70.054.0110.07	110 - MOP 16 bar	0.44

	Unit	Nominale	Tol+	Tol-
da(OD)	mm	110	0.00	0.00
L	mm	91,5	0.75	0.75
dsp	mm	133	0.75	0.75
t	mm	42,5	0.75	0.75
d3	mm	140	0.75	0.75
p	bar	16	0.00	0.00