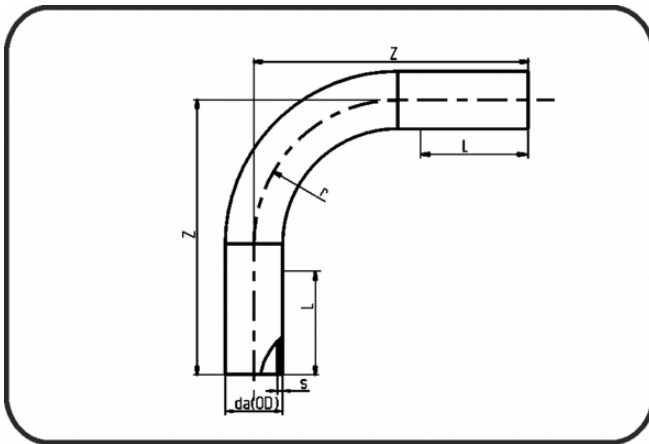


## Sweep Bends



Code: 399

- Sweep Bend 90°
- radius 1.5 x OD
- formed out of pipe
- **Butt + E-socket-welding**
- **PE 100-RC black**

Dimension	Code	Detail	da(OD) mm	s mm	z mm	r mm	L mm	Weight
90	70.399.0090.11	90 SDR11 ISO S-5 16 bar	90	8,2	380	135	150	1.42
110	70.399.0110.11	110 SDR11 ISO S-5 16 bar	110	10	440	165	150	2.70
125	70.399.0125.11	125 SDR11 ISO S-5 16 bar	125	11,4	470	188	150	3.06
140	70.399.0140.11	140 SDR11 ISO S-5 16 bar	140	12,7	520	210	150	4.76
160	70.399.0160.11	160 SDR11 ISO S-5 16 bar	160	14,6	550	240	150	6.62
180	70.399.0180.11	180 SDR11 ISO S-5 16 bar	180	16,4	590	270	150	9.09
200	70.399.0200.11	200 SDR11 ISO S-5 16 bar	200	18,2	650	300	150	12.22
225	70.399.0225.11	225 SDR11 ISO S-5 16 bar	225	20,5	675	338	150	16.56
250	70.399.0250.11	250 SDR11 ISO S-5 16 bar	250	22,7	780	375	250	22.00
280	70.399.0280.11	280 SDR11 ISO S-5 16 bar	280	25,4	790	420	250	28.70
315	70.399.0315.11	315 SDR11 ISO S-5 16 bar	315	28,6	800	473	250	32.51
355	70.399.0355.11	355 SDR11 ISO S-5 16 bar	355	32,2	810	533	250	46.00
400	70.399.0400.11	400 SDR11 ISO S-5 16 bar	400	36,4	1.050	637	300	78.60
450	70.399.0450.11	450 SDR11 ISO S-5 16 bar	450	40,9	1.150	711	300	111.20
500	70.399.0500.11	500 SDR11 ISO S-5 16 bar	500	45,4	1.300	783	350	152.60
560	70.399.0560.11	560 SDR11 ISO S-5 16 bar	560	50,8	1.350	877	350	190.00
630	70.399.0630.11	630 SDR11 ISO S-5 16 bar	630	57,2	1.600	955	350	295.20