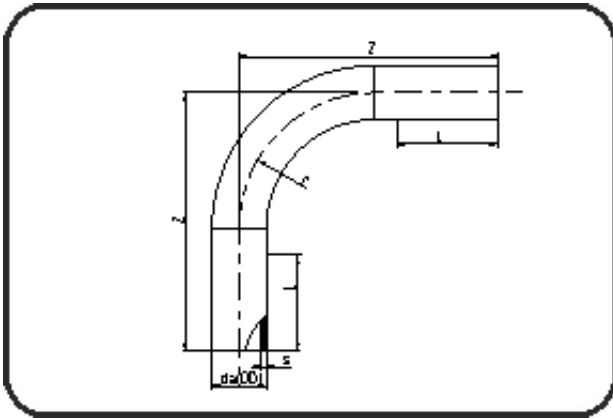


Sweep Bends



Code: 399

- Sweep Bend 90°
- radius 1.5 x OD
- formed out of pipe
- **Butt + E-socket-welding**
- **PE 100-RC black**

** On request.

Dimension	Code	Detail	Weight
90	70.399.0090.09	90 SDR9 ISO S-4 20 bar	1.56

	Unit	Nominale	Tol+	Tol-
da(OD)	mm	90	0.00	0.00
L	mm	150	0.00	0.00
r	mm	135	0.00	0.00
s	mm	10,1	0.00	0.00
z	mm	320	75.00	75.00