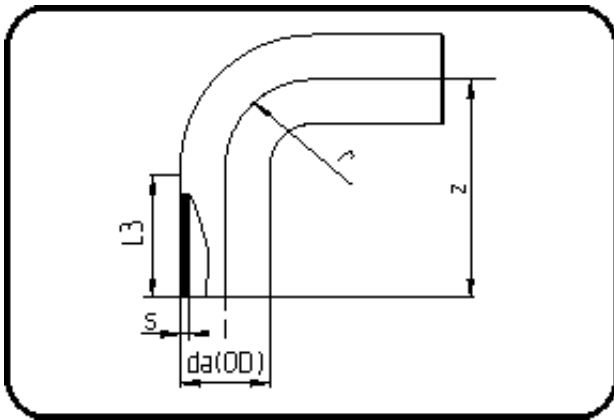


MULTI Fittings



Code: 068

- **MULTI-Bend 90°**
- long spigot
- W/P-TW
- injection moulded
- **Butt + E-socket-welding**
- **PE 100-RC black**

Dimension	Code	Detail	Weight
225	70.068.0225.17	225X13,4 SDR17 PN10	5.84

	Unit	Nominale	Tol+	Tol-
da(OD)	mm	225	1.40	0.00
L3	mm	125	6.00	6.00
r	mm	225	0.00	0.00
s	mm	13,4	1.50	0.00
z	mm	353	7.50	7.50