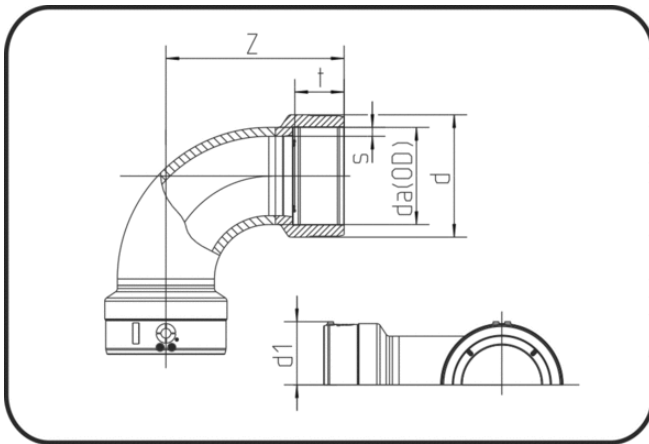


Electro Fusion Fittings



Code: 171.2

- **E-Elbow 90°**
- MOP water 16bar/gas 10bar
- W/P-TW
- with E-Spigot Couplers
- injection moulded+welded
- **Electro-fusion**
- **PE 100-RC black**

Dimension	Code	Detail	da(OD) mm	s mm	z mm	d mm	d1 mm	t mm	Weight
250	70.171.2250.11	250 SDR 17-11	250	22,7	259	315	162,3	127	17.70