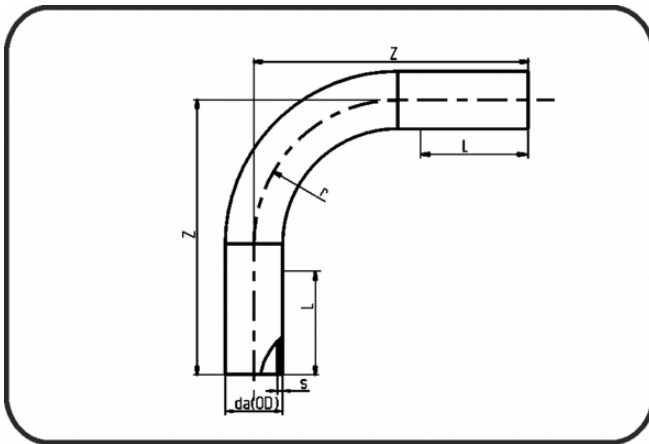


Sweep Bends



Code: 399

- Sweep Bend 90°
- radius 1.5 x OD
- formed out of pipe
- **Butt + E-socket-welding**
- **PE 100-RC black**

** On request.

Dimension	Code	Detail	da(OD) mm	s mm	z mm	r mm	L mm	Weight
90	70.399.0090.09	90 SDR9 ISO S-4 20 bar	90	10,1	320	135	150	1.56
110	70.399.0110.09	110 SDR9 ISO S-4 20 bar	110	12,3	350	165	150	2.87
125	70.399.0125.09	125 SDR9 ISO S-4 20 bar	125	14	370	188	150	3.67
140	70.399.0140.09	140 SDR9 ISO S-4 20 bar	140	15,7	500	210	150	5.71
160	70.399.0160.09	160 SDR9 ISO S-4 20 bar	160	17,9	500	240	150	6.79
180	70.399.0180.09	180 SDR9 ISO S-4 20 bar	180	20,1	600	270	150	10.91
200	70.399.0200.09	200 SDR9 ISO S-4 20 bar	200	22,4	600	300	150	11.90
225	70.399.0225.09	225 SDR9 ISO S-4 20 bar	225	25,2	600	338	150	16.30
250	70.399.0250.09	250 SDR9 ISO S-4 20 bar	250	27,9	750	375	250	25.50
280	70.399.0280.09	280 SDR9 ISO S-4 20 bar	280	31,3	750	420	250	33.00
315	70.399.0315.09	315 SDR9 ISO S-4 20 bar	315	35,2	900	496	300	55.98
355	70.399.0355.09	355 SDR9 ISO S-4 20 bar	355	39,7	1.000	560	300	75.05
400	70.399.0400.09	400 SDR9 ISO S-4 20 bar	400	44,7	1.050	637	300	94.32
450	70.399.0450.09	450 SDR9 ISO S-4 20 bar	450	50,3	1.150	711	300	133.44
500	70.399.0500.09	500 SDR9 ISO S-4 20 bar	500	55,8	1.350	783	350	183.12
560	70.399.0560.09	560 SDR9 ISO S-4 20 bar	560	62,5	1.450	877	350	215.00
630	70.399.0630.09	630 SDR9 ISO S-4 20 bar	630	70,3	1.600	955	350	330.00