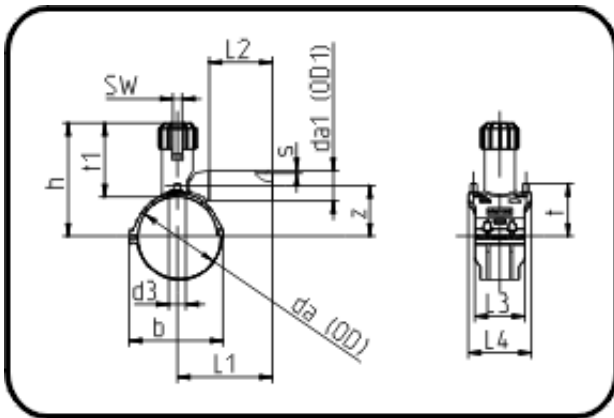


Saddles



Code: 278

- Tapping Saddle with screw cap
- gastight-bottom part screwable
- injection moulded
- **Electro-fusion**
- **PE 100-RC black**

Dimension	Code	Detail	Weight
200/32	70.278.2032.11	200/32 SDR 17 - 11	0.97

	Unit	Nominale	Tol+	Tol-
s	mm	3	0.00	0.00
t	mm	128	0.00	0.00
t1	mm	152	0.00	0.00
z	mm	118	0.00	0.00
da(OD)	mm	200	0.00	0.00
L1	mm	130	0.00	0.00
SW	mm	17	0.00	0.00
L3	mm	102	0.00	0.00
L2	mm	95	1.50	1.50
L4	mm	142	0.00	0.00
b	mm	253	0.00	0.00
d3	mm	32	0.00	0.00
h	mm	251,5	0.00	0.00
da(OD1)	mm	32	0.00	0.00