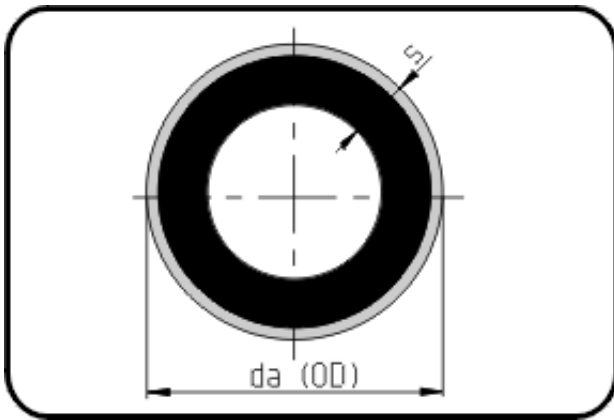


SURELINE II Pipes



Code: 712.2

- Pipe black 12m
- with green signal layer
- extruded
- **PE 100-RC SURELINE II**

From dim. 250 not available from stock - delivery time on request.

Dimension	Code	Detail	Weight
400	70.712.2400.17	400X23,7 SDR17 ISO S-8	28.30

	Unit	Nominale	Tol+	Tol-
da(OD)	mm	400	2.40	0.00
s	mm	23,7	2.50	0.00