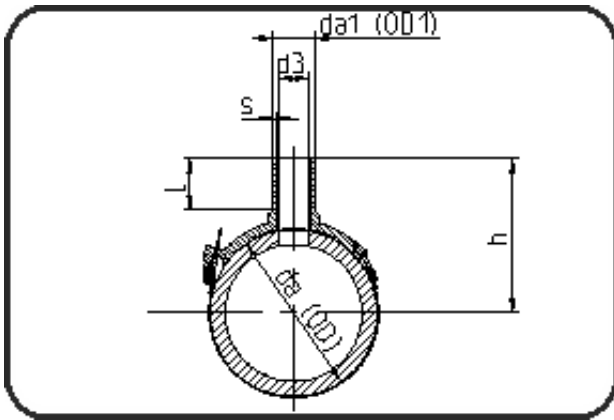


Saddles



Code: 288

- Spigot saddle
- MOP water 16bar/gas 10bar
- W/P-TW
- injection moulded
- **Electro-fusion**
- **PE 100-RC black**

Dimension	Code	Detail	Weight
90/20	70.288.9020.11	90/20 SDR 17 - 11	0.18

	Unit	Nominale	Tol+	Tol-
da(OD)	mm	90	0.00	0.00
L	mm	56	1.00	1.00
b	mm	120	0.00	0.00
s	mm	3	0.40	0.00
alph	[°]	0	0.00	0.00
d3	mm	12	0.00	0.00
h	mm	130	3.00	3.00
da(OD1)	mm	20	0.30	0.00