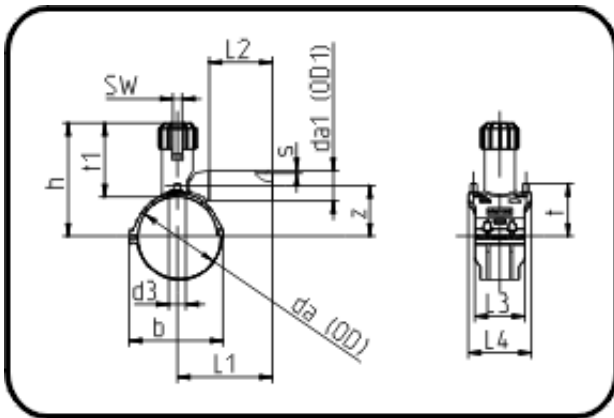


Saddles



Code: 278

- Tapping Saddle with screw cap
- gastight-bottom part screwable
- injection moulded
- **Electro-fusion**
- **PE 100-RC black**

Dimension	Code	Detail	Weight
63/20	70.278.6320.11	63/20 SDR11 ISO S-5	0.54

	Unit	Nominale	Tol+	Tol-
s	mm	3	0.00	0.00
t	mm	59,5	0.00	0.00
t1	mm	138	0.00	0.00
z	mm	60	0.00	0.00
da(OD)	mm	63	0.00	0.00
L1	mm	120	0.00	0.00
SW	mm	10	0.00	0.00
L3	mm	102	0.00	0.00
L2	mm	78	1.50	1.50
L4	mm	119	0.00	0.00
b	mm	99	0.00	0.00
d3	mm	26	0.00	0.00
h	mm	169,5	0.00	0.00
da(OD1)	mm	20	0.00	0.00