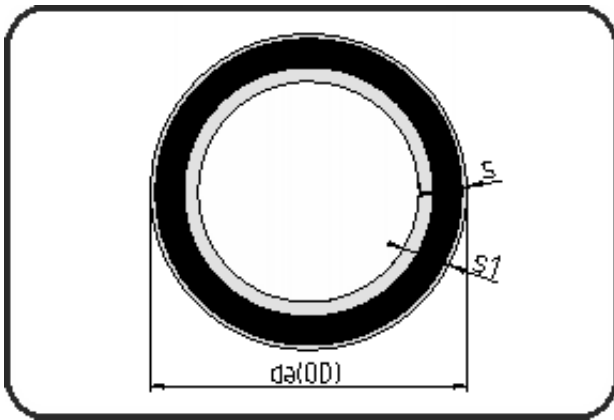


Pipes



Code: 3M.705

- **Mineline II Pipe 5m**
- white signal-layer and abrasion-layer
- extruded
- **PE-RC Mineline II**

Not available from stock. Fittings on request.

Dimension	Code	Detail	Weight
160	3M.705.0160.11	160x14,6 SDR11 ISO S-5	8.35

	Unit	Nominale	Tol+	Tol-
da(OD)	mm	160	1.00	0.00
s	mm	14,6	1.60	0.00
s1	mm	18,6	2.20	0.00