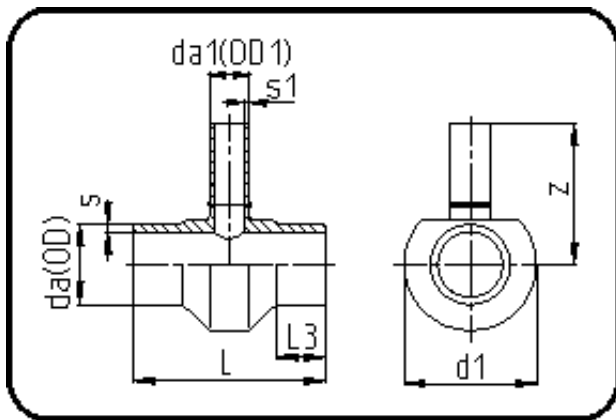


## Fittings with short Spigot



Code: 307

- Tee reduced
- short spigot
- machined
- **Butt-welding**
- PE 100-RC black

Dimension	Code	Detail	Weight
630/280	70.307.6328.09	630/280 SDR9 ISO S-4	99.00

	Unit	Nominale	Tol+	Tol-
da(OD)	mm	630	5.70	0.00
L	mm	640	2.00	2.00
L3	mm	150	1.00	1.00
s	mm	70,3	1.70	0.00
d1	mm	720	1.00	1.00
s1	mm	31,3	3.30	0.00
da(OD1)	mm	280	2.60	0.00
z	mm	640	15.00	15.00