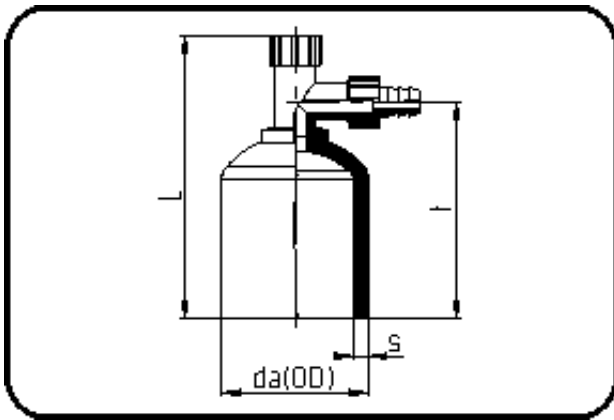


Elongated Fittings



Code: 064.1

- **Ventilation End Cap**
- long spigot
- W/P-TW
- injection moulded
- **Butt + E-socket-welding**
- **PE 100-RC black**

Dimension	Code	Detail	Weight
125	70.064.1125.11	125X11,4 SDR11 PN16	0.77

	Unit	Nominale	Tol+	Tol-
da(OD)	mm	125	0.80	0.00
L	mm	215	9.00	0.00
s	mm	11,4	1.30	0.00
t	mm	165	4.50	4.50