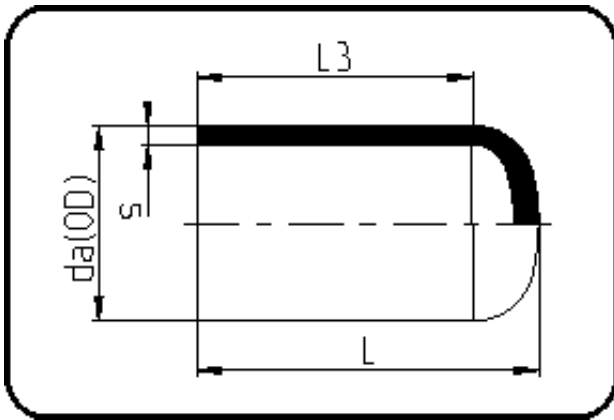


## Elongated Fittings



Code: 064

- End Cap
- long spigot
- W/P-TW
- injection moulded
- **Butt + E-socket-welding**
- PE 100-RC black

Dimension	Code	Detail	Weight
180	70.064.0180.11	180X16,4 SDR11 PN16	1.45

	Unit	Nominale	Tol+	Tol-
da(OD)	mm	180	1.10	0.00
L	mm	160	2.25	2.25
L3	mm	111	2.25	2.25
s	mm	16,4	1.80	0.00