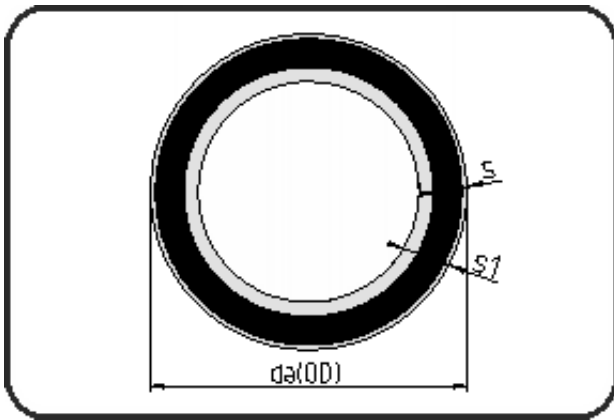


## Pipes



Code: 3M.705

- **Mineline II Pipe 5m**
- white signal-layer and abrasion-layer
- extruded
- **PE-RC Mineline II**

Not available from stock. Fittings on request.

Dimension	Code	Detail	Weight
180	3M.705.0180.11	180x16,4 SDR11 ISO S-5	10.90

	Unit	Nominale	Tol+	Tol-
da(OD)	mm	180	1.10	0.00
s	mm	16,4	1.80	0.00
s1	mm	21,4	2.80	0.00