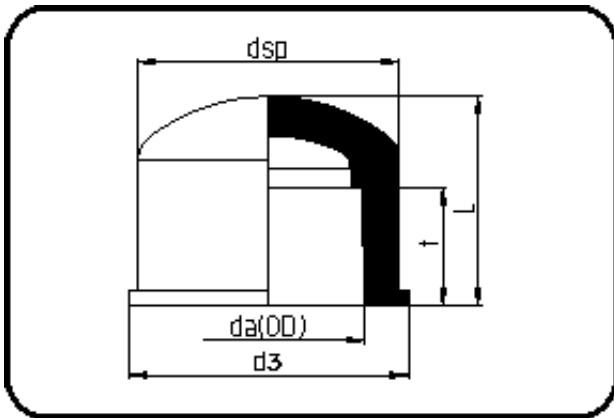


## Fittings for Socket Welding



Code: 054

- End Cap
- injection moulded
- **Socket-welding**
- PE 100-RC black

Dimension	Code	Detail	Weight
63	70.054.0063.07	63 - MOP 16 bar	0.13

	Unit	Nominale	Tol+	Tol-
da(OD)	mm	63	0.00	0.00
L	mm	59	0.75	0.75
dsp	mm	81	0.75	0.75
t	mm	29	0.75	0.75
d3	mm	86,5	0.75	0.75
p	bar	16	0.00	0.00