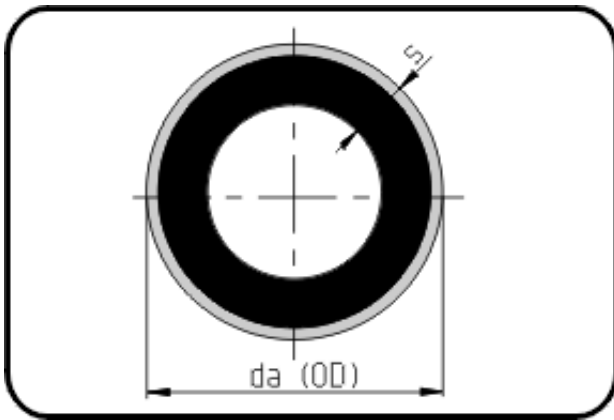


## SURELINE II Pipes



Code: 712.2

- Pipe black 12m
- with green signal layer
- extruded
- **PE 100-RC SURELINE II**

From dim. 250 not available from stock - delivery time on request.

Dimension	Code	Detail	Weight
140	70.712.2140.11	140X12,7 SDR11 ISO S-5	5.13

	Unit	Nominale	Tol+	Tol-
da(OD)	mm	140	0.90	0.00
s	mm	12,7	1.40	0.00