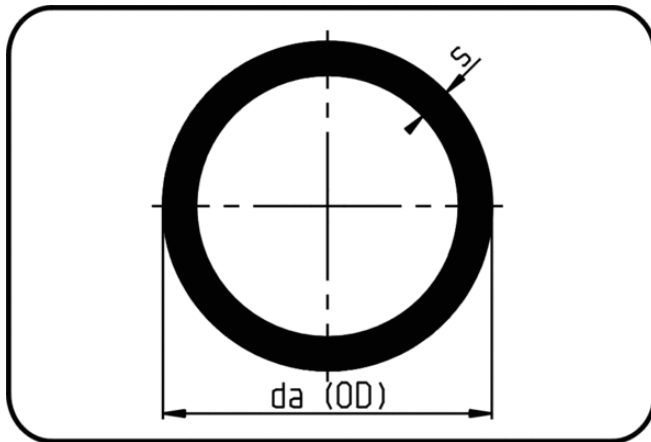


SURELINE III Pipes



Code: 713.7

- Pipe black 100m rolled
- with blue protective layer
- with 4 green stripes
- extruded
- **PE 100-RC SURELINE III**

Dimension	Code	Detail	d_a (OD) mm	d_a (OD1) mm	s mm	s1 mm	Weight
63	70.713.7063.11	63X5,8 SDR11 ISO S-5	63	93	5,8	1,5	1.44
75	70.713.7075.11	75X6,8 SDR11 ISO S-5	75	78	6,8	1,5	1.93
110	70.713.7110.11	110X10,0 SDR11 ISO S-5	110	113	10	1,5	3.85