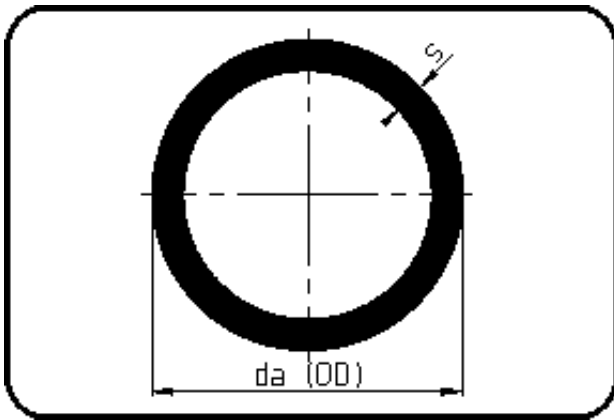


## SURELINE I Pipes



Code: 706

- Pipe black 6m
- with blue stripes
- extruded
- PE 100-RC SURELINE I

Please request other stripe-colours individually.

Dimension	Code	Detail	Weight
140	70.706.0140.17	140X8,3 SDR17 ISO S-8	3.50

	Unit	Nominale	Tol+	Tol-
da(OD)	mm	140	0.90	0.00
s	mm	8,3	1.00	0.00