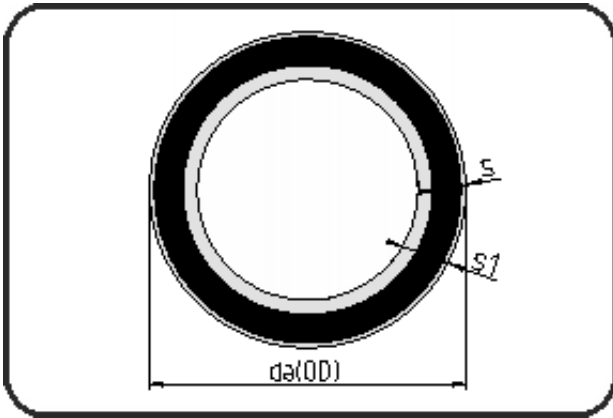


Pipes



Code: 3M.705

- **Mineline II Pipe 5m**
- white signal-layer
and abrasion-layer
- extruded
- **PE-RC Mineline II**

Not available from stock. Fittings on request.

Dimension	Code	Detail	Weight
110	3M.705.0110.11	110x10,0 SDR11 ISO S-5	4.04

	Unit	Nominale	Tol+	Tol-
$da(OD)$	mm	110	0.70	0.00
s	mm	10	1.10	0.00
s1	mm	13	1.70	0.00