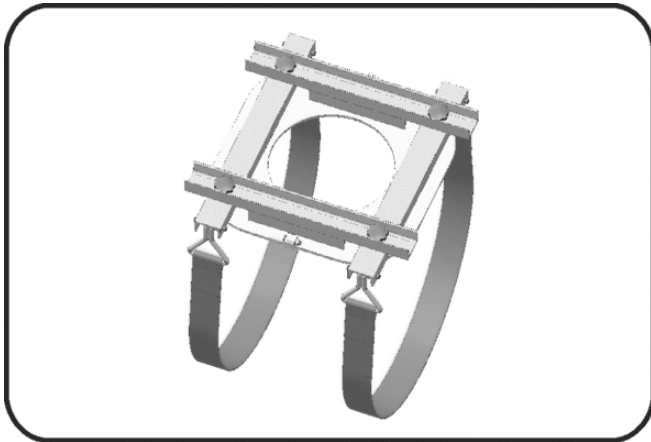


Accessories



Code: GSV

- Installation Set for spigot
- Spigot saddle system Topload
- Dimensions referring to spigot
- Clamping device

Dimension	Code	Detail	Weight
63/160	SAGSV016000	Dim 63 - 160	29.80
180/315	SAGSV031500	Dim 180-315	114.00
355/500	SAGSV050000	Dim 355-500	169.10
560/710	SAGSV071000	Dim 560-710	215.10