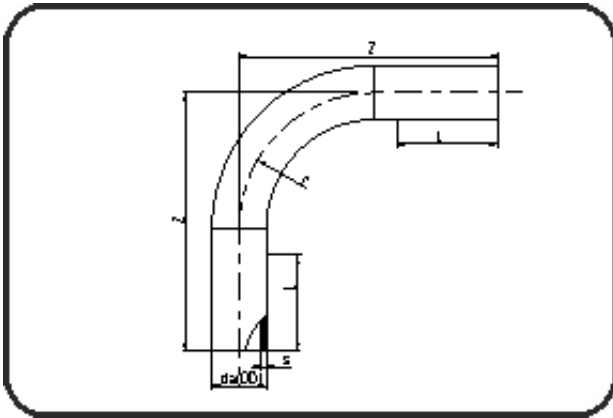


## Sweep Bends



Code: 399

- Sweep Bend 90°
- radius 1.5 x OD
- formed out of pipe
- **Butt + E-socket-welding**
- **PE 100-RC black**

Dimension	Code	Detail	Weight
180	70.399.0180.17	180 SDR17 ISO S-8 10 bar	6.18

	Unit	Nominale	Tol+	Tol-
da(OD)	mm	180	0.00	0.00
L	mm	150	0.00	0.00
r	mm	270	0.00	0.00
s	mm	10,7	0.00	0.00
z	mm	590	75.00	75.00