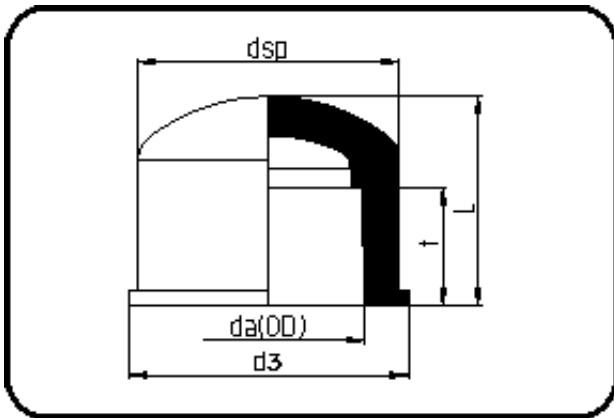


Fittings for Socket Welding



Code: 054

- End Cap
- injection moulded
- **Socket-welding**
- PE 100-RC black

Dimension	Code	Detail	Weight
50	70.054.0050.07	50 - MOP 16 bar	0.07

	Unit	Nominale	Tol+	Tol-
da(OD)	mm	50	0.00	0.00
L	mm	48,5	0.75	0.75
dsp	mm	64,5	0.75	0.75
t	mm	24,5	0.75	0.75
d3	mm	70	0.75	0.75
p	bar	16	0.00	0.00