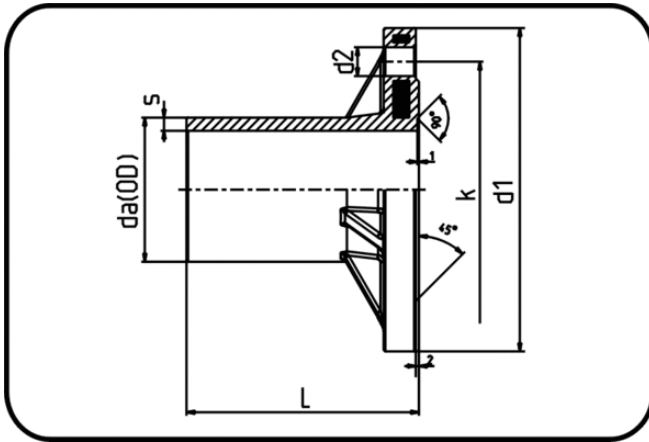


Elongated Fittings



Code: 162

- Full Faced Flange DIN
- long spigot
- inj. moulded+drilled PN10/16
- **Butt + E-socket-welding**
- **PE 100-RC black**

Dimension	Code	Detail	da(OD) mm	s mm	L mm	d1 mm	d2 mm	k mm	Weight
90	70.162.0090.11	90X8,2 SDR11 ISO S-5	90	8,2	142	202	18	160	2.02
110	70.162.0110.11	110X10,0 SDR11 ISO S-5	110	10	146	222	18	180	2.40
125	70.162.0125.11	125X11,4 SDR11 ISO S-5	125	11,4	147	222	18	180	2.28
160	70.162.0160.11	160X14,6 SDR11 ISO S-5	160	14,6	171	286	22	240	4.34
180	70.162.0180.11	180X16,4 SDR11 ISO S-5	180	16,4	180	286	22	240	4.32