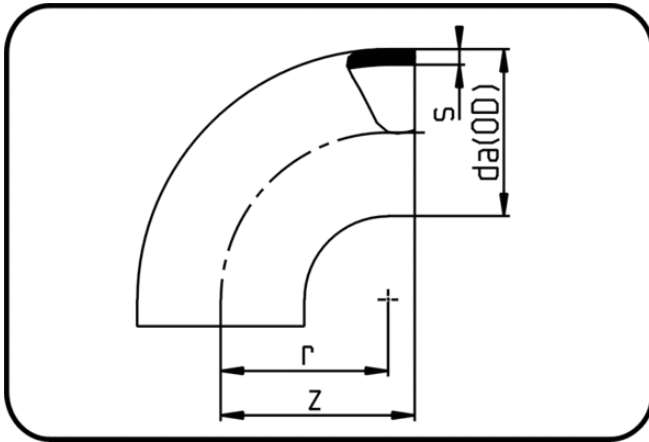


## Fittings with short Spigot



Code: 001

- **Bend 90°**
- short spigot
- injection moulded
- **Butt-welding**
- **PE 100-RC black**

Dimension	Code	Detail	da(OD) mm	s mm	z mm	r mm	Weight
63	70.001.0063.11	63X5,8 SDR11 ISO S-5	63	5,8	70	63	0.11
75	70.001.0075.11	75X6,8 SDR11 ISO S-5	75	6,8	85	75	0.21
90	70.001.0090.11	90X8,2 SDR11 ISO S-5	90	8,2	100	90	0.37
110	70.001.0110.11	110X10,0 SDR11 ISO S-5	110	10	124	110	0.63
125	70.001.0125.11	125X11,4 SDR11 ISO S-5	125	11,4	140	125	0.91
140	70.001.0140.11	140X12,7 SDR11 ISO S-5	140	12,7	150	140	1.24
160	70.001.0160.11	160X14,6 SDR11 ISO S-5	160	14,6	180	155	1.95
180	70.001.0180.11	180X16,4 SDR11 ISO S-5	180	16,4	200	180	2.73
200	70.001.0200.11	200X18,2 SDR11 ISO S-5	200	18,2	220	200	3.68
225	70.001.0225.11	225X20,5 SDR11 ISO S-5	225	20,5	243	225	5.07
250	70.001.0250.11	250X22,7 SDR11 ISO S-5	250	22,7	290	265	8.02
280	70.001.0280.11	280X25,4 SDR11 ISO S-5	280	25,4	290	265	9.75
315	70.001.0315.11	315X28,6 SDR11 ISO S-5	315	28,6	340	300	14.36
355	70.001.0355.11	355X32,2 SDR11 ISO S-5	355	32,2	340	300	18.46
400	70.001.0400.11	400X36,3 SDR11 ISO S-5	400	36,3	345	300	23.85
450	70.001.0450.11	450X40,9 SDR11 ISO S-5	450	40,9	445	400	38.80
500	70.001.0500.11	500X45,4 SDR11 ISO S-5	500	45,4	445	400	50.22