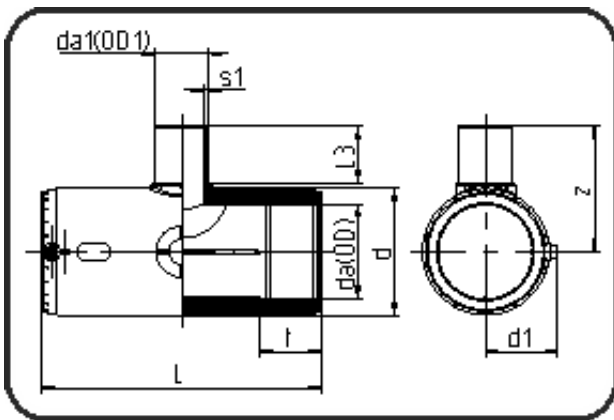


Electro Fusion Fittings



Code: 175

- E-Tee reduced
- MOP water 16bar/gas 10bar
- W/P-TW
- injection moulded
- **Electro-fusion**
- **PE 100-RC black**

Dimension	Code	Detail	Weight
32/20	70.175.3220.11	32/20 SDR 11	0.12

	Unit	Nominale	Tol+	Tol-
da(OD)	mm	32	0.30	0.00
L	mm	122,5	4.50	0.00
L3	mm	42,5	2.25	2.25
d	mm	47	0.75	0.75
d1	mm	43,5	1.50	1.50
t	mm	43	1.50	1.50
s1	mm	3	0.40	0.00
da(OD1)	mm	20	0.30	0.00
z	mm	70	2.25	2.25