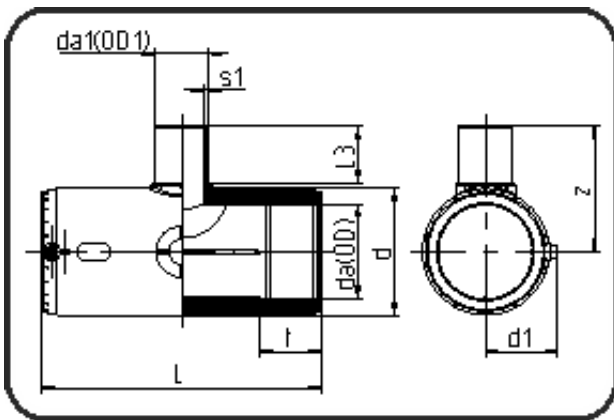


Electro Fusion Fittings



Code: 175

- E-Tee reduced
- MOP water 16bar/gas 10bar
- W/P-TW
- injection moulded
- **Electro-fusion**
- **PE 100-RC black**

| Dimension | Code | Detail | Weight |
|-----------|----------------|------------------|--------|
| 110/90 | 70.175.1190.11 | 110/90 SDR 17-11 | 2.60 |

| | Unit | Nominale | Tol+ | Tol- |
|---------|------|----------|------|------|
| da(OD) | mm | 110 | 0.70 | 0.00 |
| L | mm | 326,5 | 4.50 | 0.00 |
| L3 | mm | 91 | 2.25 | 2.25 |
| d | mm | 148,5 | 1.50 | 1.50 |
| d1 | mm | 85 | 1.50 | 1.50 |
| t | mm | 71,5 | 1.50 | 1.50 |
| s1 | mm | 8,2 | 1.00 | 0.00 |
| da(OD1) | mm | 90 | 0.60 | 0.00 |
| z | mm | 181 | 2.25 | 2.25 |