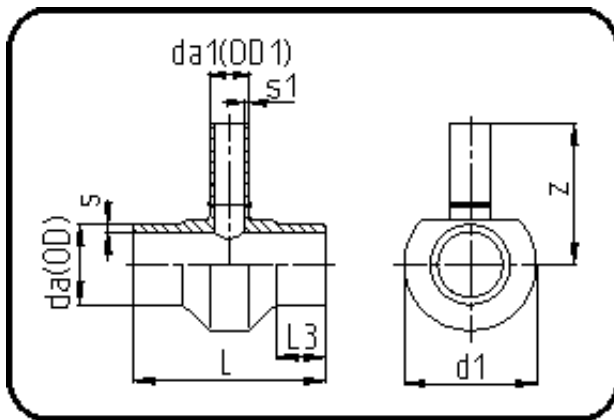


Fittings with short Spigot



Code: 307

- Tee reduced
- short spigot
- machined
- **Butt-welding**
- **PE 100-RC black**

| Dimension | Code | Detail | Weight |
|-----------|----------------|----------------------|--------|
| 355/180 | 70.307.3518.09 | 355/180 SDR9 ISO S-4 | 30.60 |

| | Unit | Nominale | Tol+ | Tol- |
|---------|------|----------|-------|-------|
| da(OD) | mm | 355 | 3.20 | 0.00 |
| L | mm | 380 | 3.00 | 3.00 |
| L3 | mm | 75 | 1.50 | 1.50 |
| s | mm | 39,7 | 4.10 | 0.00 |
| d1 | mm | 444 | 1.50 | 1.50 |
| s1 | mm | 20,1 | 2.20 | 0.00 |
| da(OD1) | mm | 180 | 1.70 | 0.00 |
| z | mm | 352,5 | 18.00 | 18.00 |