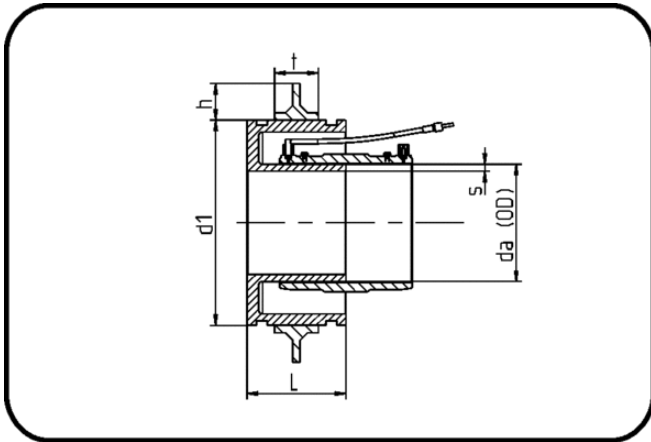


Electro Fusion Fittings



Code: 178.2

- **Concrete Conn. Socket TYPE2**
- with assembled puddle flange
- machined
- **Electro-fusion**
- **PE 100-RC black**

| Dimension | Code | Detail | da(OD) mm | L mm | d1 mm | h mm | s mm | Weight |
|-----------|----------------|---------------|--------------|---------|----------|---------|---------|--------|
| 110 | 70.178.2110.17 | 110 SDR 33-17 | 110 | 135 | 216 | 50 | 6,6 | 3.60 |
| 125 | 70.178.2125.17 | 125 SDR 33-17 | 125 | 135 | 216 | 50 | 7,4 | 4.46 |
| 160 | 70.178.2160.17 | 160 SDR 33-17 | 160 | 135 | 280 | 50 | 9,5 | 5.60 |
| 180 | 70.178.2180.17 | 180 SDR 33-17 | 180 | 135 | 310 | 50 | 10,7 | 7.60 |
| 200 | 70.178.2200.17 | 200 SDR 33-17 | 200 | 135 | 312 | 50 | 11,9 | 6.34 |
| 225 | 70.178.2225.17 | 225 SDR 33-17 | 225 | 135 | 355 | 50 | 13,4 | 9.40 |
| 250 | 70.178.2250.17 | 250 SDR 33-17 | 250 | 135 | 375 | 37,5 | 14,8 | 11.20 |
| 280 | 70.178.2280.17 | 280 SDR 33-17 | 280 | 135 | 420 | 37,5 | 16,6 | 14.00 |
| 315 | 70.178.2315.17 | 315 SDR 33-17 | 315 | 135 | 460 | 37,5 | 18,7 | 17.90 |
| 355 | 70.178.2355.17 | 355 SDR 33-17 | 355 | 135 | 480 | 37,5 | 21,1 | 19.38 |
| 400 | 70.178.2400.17 | 400 SDR 33-17 | 400 | 135 | 550 | 37,5 | 23,7 | 26.40 |