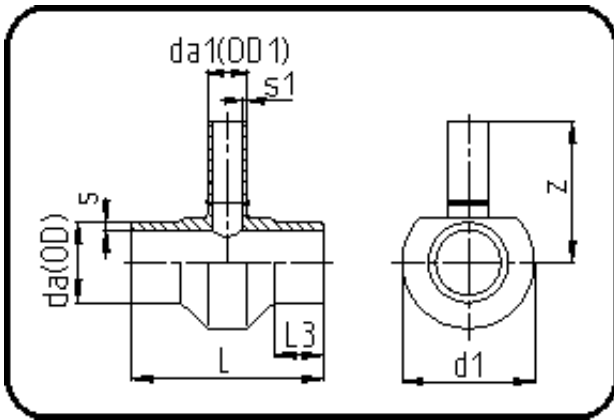


Fittings with short Spigot



Code: 307

- Tee reduced
- short spigot
- machined
- **Butt-welding**
- PE 100-RC black

Dimension	Code	Detail	Weight
355/315	70.307.3531.09	355/315 SDR9 ISO S-4	48.20

	Unit	Nominale	Tol+	Tol-
da(OD)	mm	355	3.20	0.00
L	mm	540	3.00	3.00
L3	mm	85	1.00	1.00
s	mm	39,7	4.10	0.00
d1	mm	530	1.00	1.00
s1	mm	35,2	3.70	0.00
da(OD1)	mm	315	2.90	0.00
z	mm	407,5	15.00	15.00