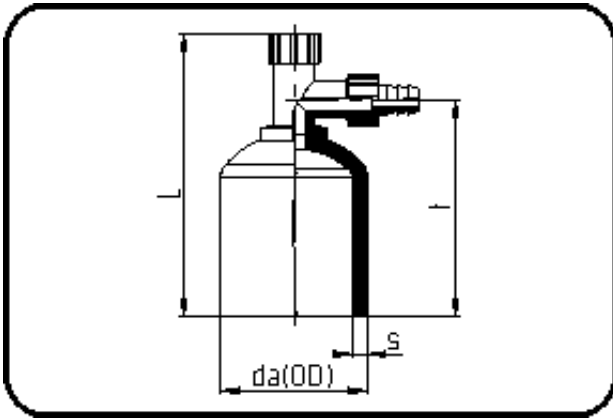


## Elongated Fittings



Code: 064.1

- **Ventilation End Cap**
- long spigot
- W/P-TW
- injection moulded
- **Butt + E-socket-welding**
- **PE 100-RC black**

Dimension	Code	Detail	Weight
200	70.064.1200.17	200X11,9 SDR17 PN10	1.51

	Unit	Nominale	Tol+	Tol-
da(OD)	mm	200	1.20	0.00
L	mm	260	12.00	0.00
s	mm	11,9	1.30	0.00
t	mm	212	6.00	6.00