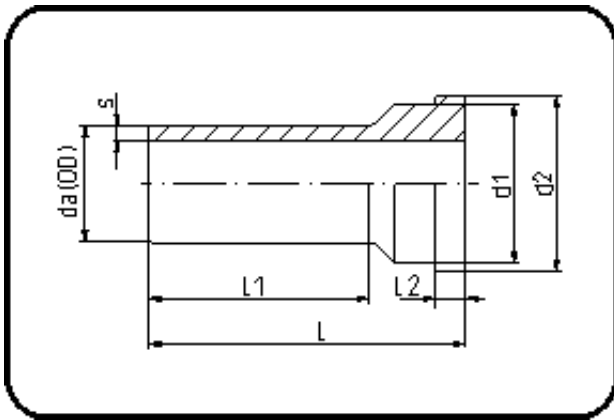


Fittings with short Spigot



Code: 024.2

- Union end
- spare part Union 024
- injection moulded
- **Butt-welding**
- **PE 100-RC black**

Dimension	Code	Detail	Weight
25	70.024.2025.11	25X2,3 SDR11 ISO S-5	0.02

	Unit	Nominale	Tol+	Tol-
da(OD)	mm	25	0.30	0.00
L	mm	57	1.50	1.50
L1	mm	39	1.50	1.50
L2	mm	5	0.60	0.00
s	mm	2,3	0.00	0.00
d1	mm	35,7	0.00	0.30
d2	mm	38,6	0.00	0.30