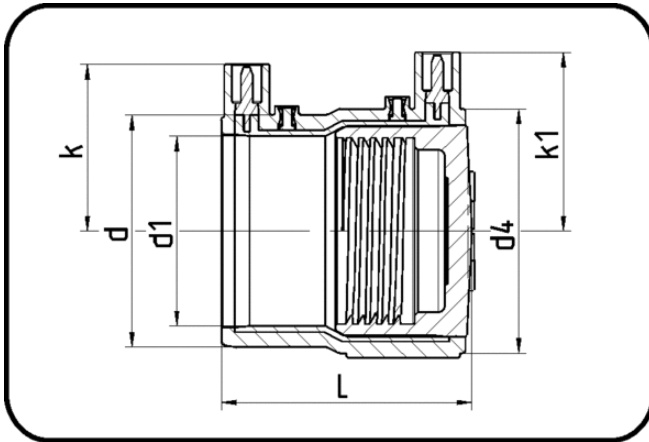


Saddles



Code: 277

- E-Screw Cap
- for Tapping Saddle
- injection moulded
- **Electro-fusion**
- **PE 100-RC black**

Dimension	Code	Detail	L mm	d mm	d1 mm	d4 mm	k mm	k1 mm	Weight
63	70.277.0063.11	63 SDR11 ISO S-5	75,5	70,2	56	74,5	52	56	0.15
90-315	70.277.9031.11	90-315 SDR11 ISO S-5	83	78	64	82,6	56	60	0.20