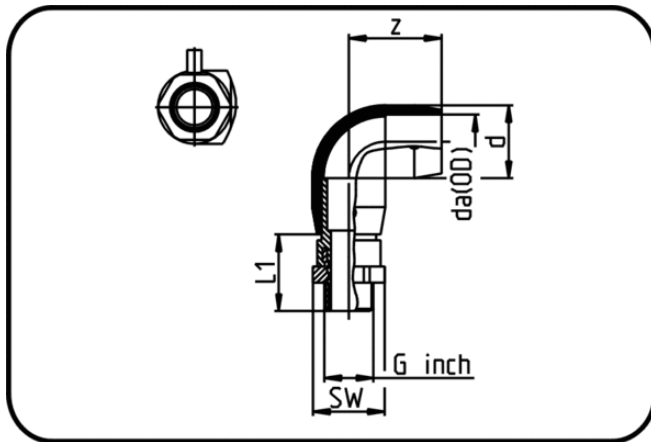


## Electro Fusion Fittings



Code: 186

- **E-Adaptor Elbow 90°**
- with brass-male thread
- W/P-TW
- injection moulded
- **Electro-fusion**
- **PE 100-RC black**

| Dimension  | Code           | Detail                   | da(OD)<br>mm | z<br>mm | L1<br>mm | d<br>mm | SW<br>mm | G<br>inch | Weight |
|------------|----------------|--------------------------|--------------|---------|----------|---------|----------|-----------|--------|
| 20 X 1/2   | 70.186.2020.11 | 20X1/2" SDR 11 PN16      | 20           | 58      | 45       | 30      | 32       | 0,5       | 0.16   |
| 25 X 3/4   | 70.186.2525.11 | 25X3/4" SDR 11 PN16      | 25           | 61      | 46       | 35      | 36       | 0,75      | 0.20   |
| 32 X 1     | 70.186.3232.11 | 32X1" SDR 11 PN16        | 32           | 65      | 49       | 42      | 41       | 1         | 0.27   |
| 40 X 1 1/4 | 70.186.4040.11 | 40X1 1/4" SDR 17-11 PN16 | 40           | 75      | 52       | 53      | 50       | 1,25      | 0.41   |
| 50 X 1 1/2 | 70.186.5050.11 | 50X1 1/2" SDR 17-11 PN16 | 50           | 85      | 55       | 67      | 60       | 1,5       | 0.62   |
| 63 X 2     | 70.186.6363.11 | 63X2" SDR 17-11 PN16     | 63           | 100     | 62       | 83      | 70       | 2         | 0.97   |