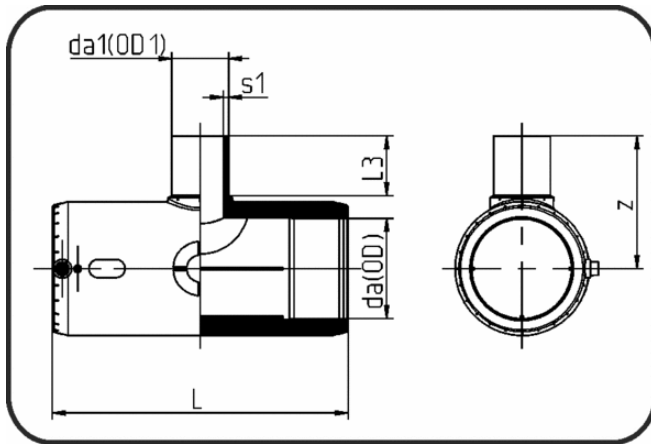


## Electro Fusion Fittings



Code: 175

- E-Tee reduced
- MOP water 16bar/gas 10bar
- W/P-TW
- injection moulded
- **Electro-fusion**
- **PE 100-RC black**

Dimension	Code	Detail	da(OD) mm	da(OD1) mm	L mm	L3 mm	s1 mm	z mm	Weight
75/63	70.175.7563.11	75/63 SDR 17-11	75	63	209	66	5,8	122,5	0.61
90/50	70.175.9050.11	90/50 SDR 17-11	90	50	291,5	58	4,6	127	1.55
90/63	70.175.9063.11	90/63 SDR 17-11	90	63	291,5	66	5,8	135	1.58
110/63	70.175.1163.11	110/63 SDR 17-11	110	63	326,5	66	5,8	148,5	2.39
110/90	70.175.1190.11	110/90 SDR 17-11	110	90	326,5	91	8,2	181	2.60
125/63	70.175.1263.11	125/63 SDR 17-11	125	63	347,5	66	5,8	157	3.34
125/90	70.175.1290.11	125/90 SDR 17-11	125	90	347,5	91	8,2	192	3.47
125/110	70.175.1211.11	125/110 SDR 17-11	125	110	347,5	101	10	202	3.58
160/63	70.175.1663.11	160/63 SDR 17-11	160	63	370,5	66	5,8	180	5.50
160/90	70.175.1690.11	160/90 SDR 17-11	160	90	370,5	91	8,2	214	5.54
160/110	70.175.1611.11	160/110 SDR 17-11	160	110	370,5	101	10	224	5.71
160/125	70.175.1612.11	160/125 SDR 17-11	160	125	370,5	111	11,4	233	5.84