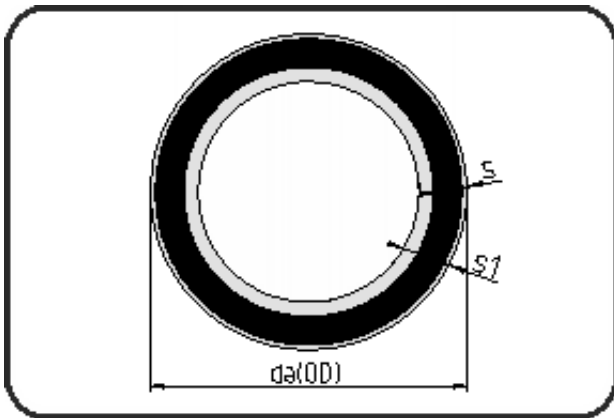


## Pipes



Code: 3M.705

- Minline II Pipe 5m
- white signal-layer and abrasion-layer
- extruded
- PE-RC Minline II

Not available from stock. Fittings on request.

Dimension	Code	Detail	Weight
400	3M.705.0400.11	400x36,3 SDR11 ISO S-5	47.20

	Unit	Nominale	Tol+	Tol-
$da(OD)$	mm	400	2.40	0.00
s	mm	36,3	3.80	0.00
s1	mm	41,3	4.80	0.00