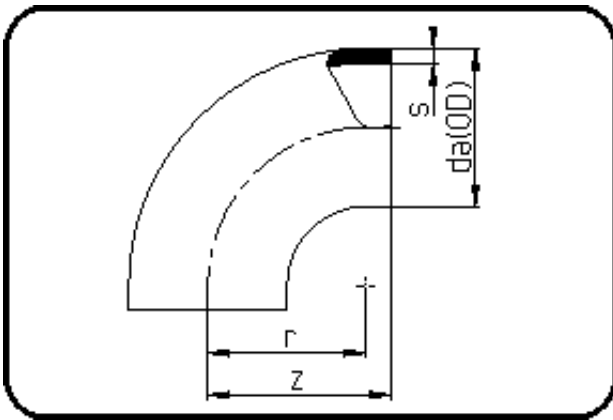


Fittings with short Spigot



Code: 001

- Bend 90°
- short spigot
- injection moulded
- **Butt-welding**
- PE 100-RC black

Dimension	Code	Detail	Weight
280	70.001.0280.11	280X25,4 SDR11 ISO S-5	9.75

	Unit	Nominale	Tol+	Tol-
da(OD)	mm	280	2.60	0.00
r	mm	265	0.00	0.00
s	mm	25,4	2.70	0.00
z	mm	290	6.00	6.00