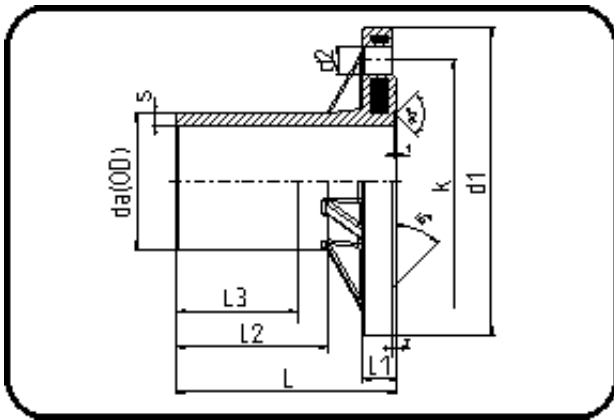


Elongated Fittings



Code: 162

- Full Faced Flange DIN
- long spigot
- inj. moulded+drilled PN10/16
- **Butt + E-socket-welding**
- PE 100-RC black

Dimension	Code	Detail	Weight
160	70.162.0160.11	160X14,6 SDR11 ISO S-5	4.34

	Unit	Nominale	Tol+	Tol-
da(OD)	mm	160	1.00	0.00
L	mm	171	3.00	0.00
L1	mm	24	1.50	1.50
L3	mm	100	0.00	0.00
L2	mm	118	1.50	0.00
s	mm	14,6	0.00	0.00
d1	mm	286	1.50	1.50
d2	mm	22	0.75	0.75
k	mm	240	0.75	0.75