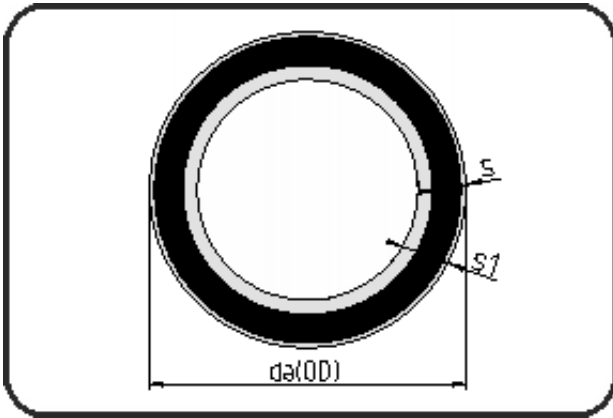


Pipes



Code: 3M.705

- **Mineline II Pipe 5m**
- white signal-layer and abrasion-layer
- extruded
- **PE-RC Mineline II**

Not available from stock. Fittings on request.

Dimension	Code	Detail	Weight
900	3M.705.0900.17	900x53,3 SDR17 ISO S-8	163.00

	Unit	Nominale	Tol+	Tol-
$da(OD)$	mm	900	0.00	0.00
s	mm	53,3	0.00	0.00
s1	mm	61,3	0.00	0.00