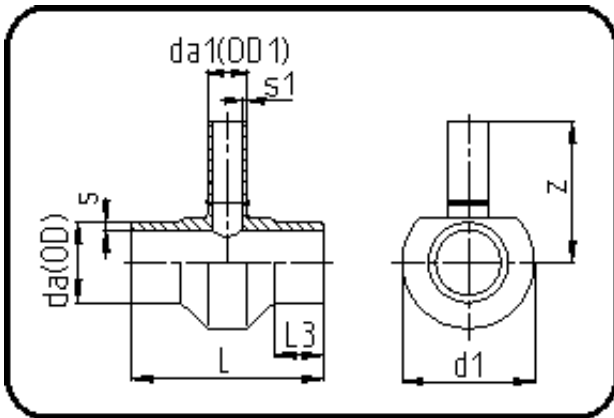


Fittings with short Spigot



Code: 307

- Tee reduced
- short spigot
- machined
- **Butt-welding**
- PE 100-RC black

Dimension	Code	Detail	Weight
630/500	70.307.6350.09	630/500 SDR9 ISO S-4	169.00

	Unit	Nominale	Tol+	Tol-
da(OD)	mm	630	5.70	0.00
L	mm	860	2.00	2.00
L3	mm	150	1.00	1.00
s	mm	70,3	1.70	0.00
d1	mm	775	1.00	1.00
s1	mm	55,8	4.60	0.00
da(OD1)	mm	500	4.50	0.00
z	mm	650	15.00	15.00