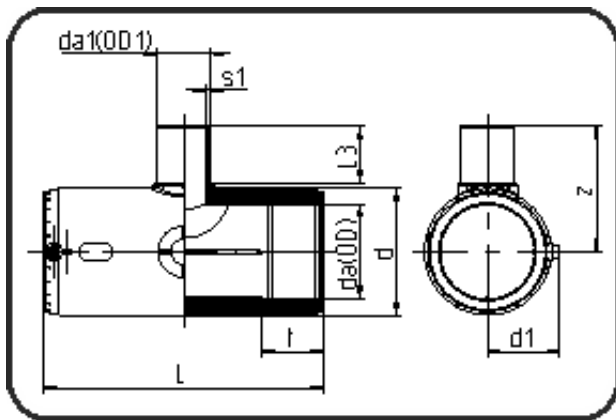


Electro Fusion Fittings



Code: 175

- E-Tee reduced
- MOP water 16bar/gas 10bar
- W/P-TW
- injection moulded
- **Electro-fusion**
- **PE 100-RC black**

Dimension	Code	Detail	Weight
160/125	70.175.1612.11	160/125 SDR 17-11	5.84

	Unit	Nominale	Tol+	Tol-
da(OD)	mm	160	1.00	0.00
L	mm	370,5	4.00	0.00
L3	mm	111	1.50	1.50
d	mm	211,5	1.00	1.00
d1	mm	110,5	1.00	1.00
t	mm	85	3.00	3.00
s1	mm	11,4	1.30	0.00
da(OD1)	mm	125	0.80	0.00
z	mm	233	1.50	1.50