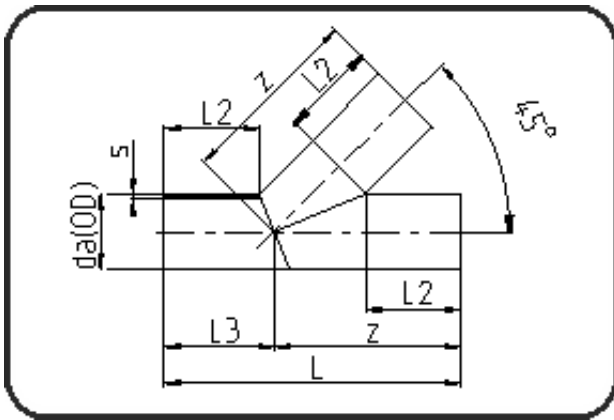


Segmented Fittings



Code: 325

- Tee 45°
- segmented
- derating factor 0.6
- **Butt + E-socket-welding**
- **PE 100-RC black**

Dimension	Code	Detail	Weight
250	70.325.0250.17	250x14,8 SDR17 ISO S-8	15.30

	Unit	Nominale	Tol+	Tol-
da(OD)	mm	250	0.00	0.00
L	mm	954	15.00	15.00
L3	mm	352	0.00	0.00
L2	mm	300	0.00	0.00
s	mm	14,8	0.00	0.00
z	mm	602	15.00	15.00